



RAJ GROUP OF COMPANIES

PRESS BRAKE TOOLING

Customised & Standard Tooling
for all machines.



RAJ HIGH - TECH VENTURES PVT. LTD

We would like to introduce ourselves as one of the leading manufacturing solution from concept to realization manufacturing.

We have in-house state of art manufacturing facility to produce tools upto 6 meter in Single Stroke.

Since 1988 we are well known as quality manufacture & supplier of tools for sheet metal industries such as

- Press Brake Tools, Forming Tools, Hemming Tools, Curling Tools, Anti deflection unit.
- Accessories for Press Break Machines etc.
- Shearing Blades.
- Industrial Knives.
- Guide ways etc.

We also undertake Labour work like

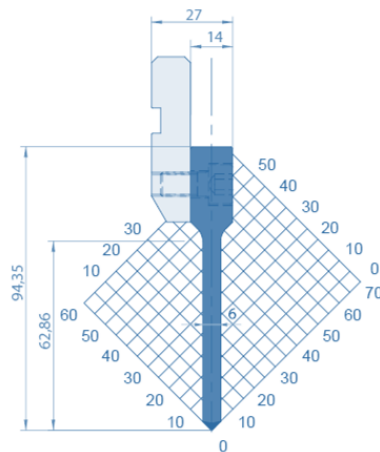
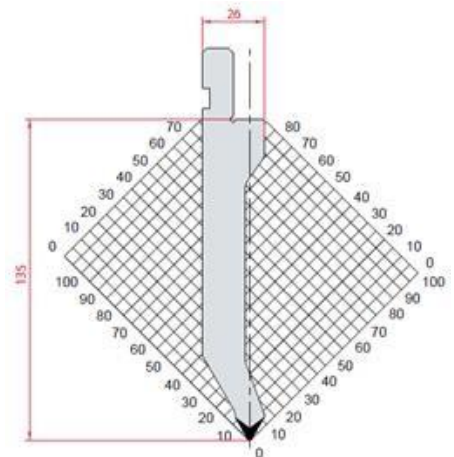
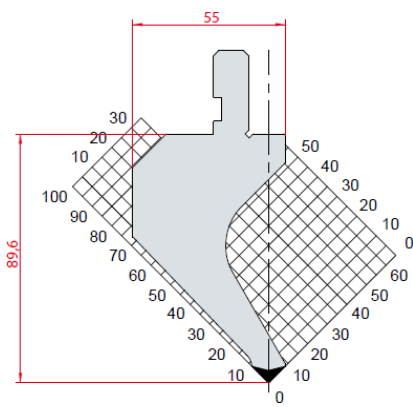
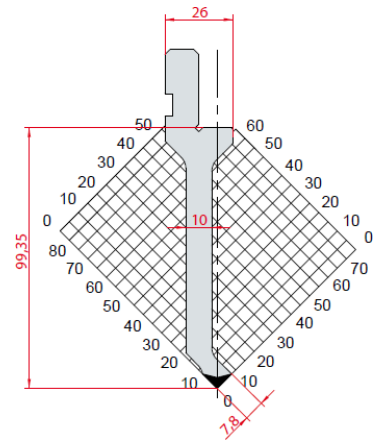
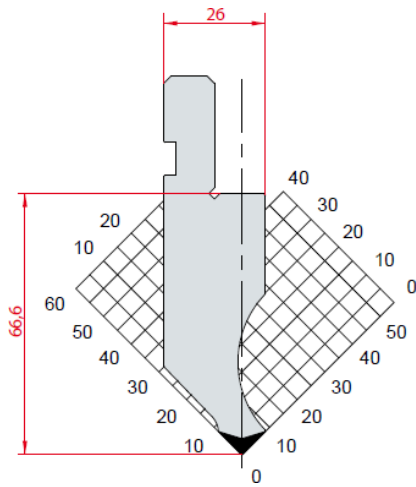
- Flame hardening & Through hardening.
- Machining & grinding.
- Re-sharpening of shearing blades, industrial knives,
- Re-sharpening of tools, dies, punches etc.



RAJ GROUP OF COMPANIES



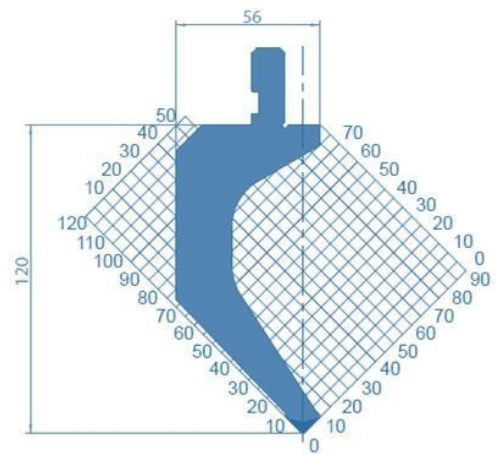
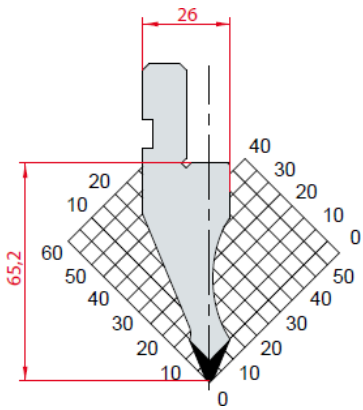
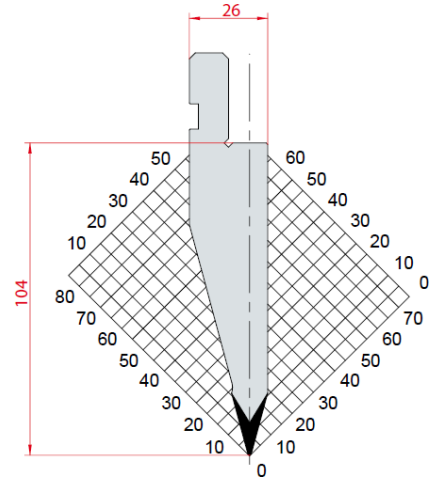
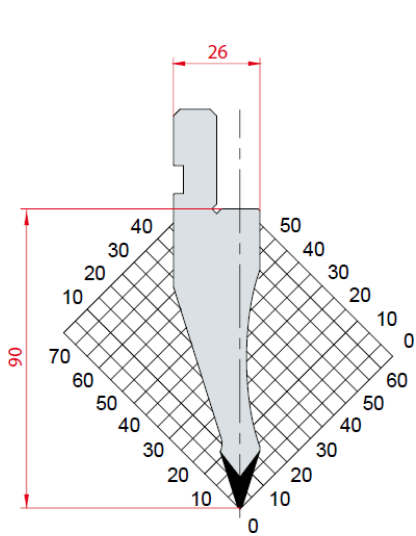
TOP TOOLS



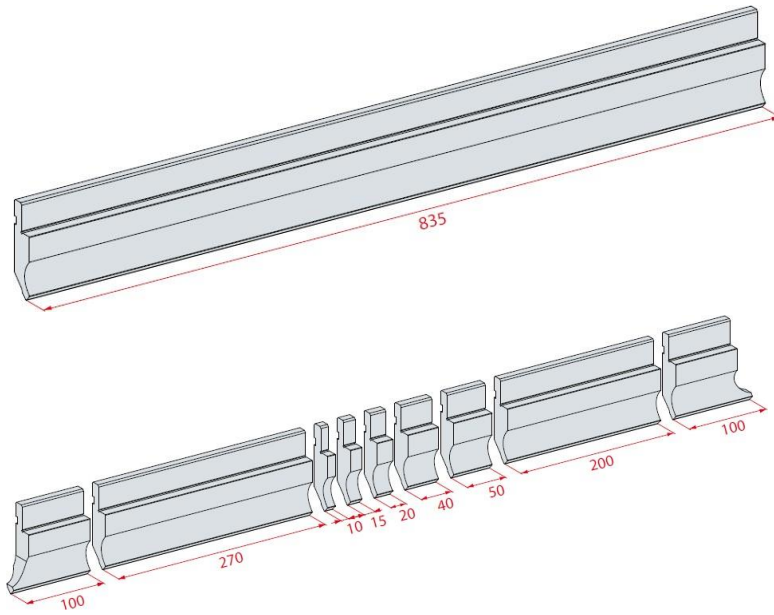
RAJ GROUP OF COMPANIES



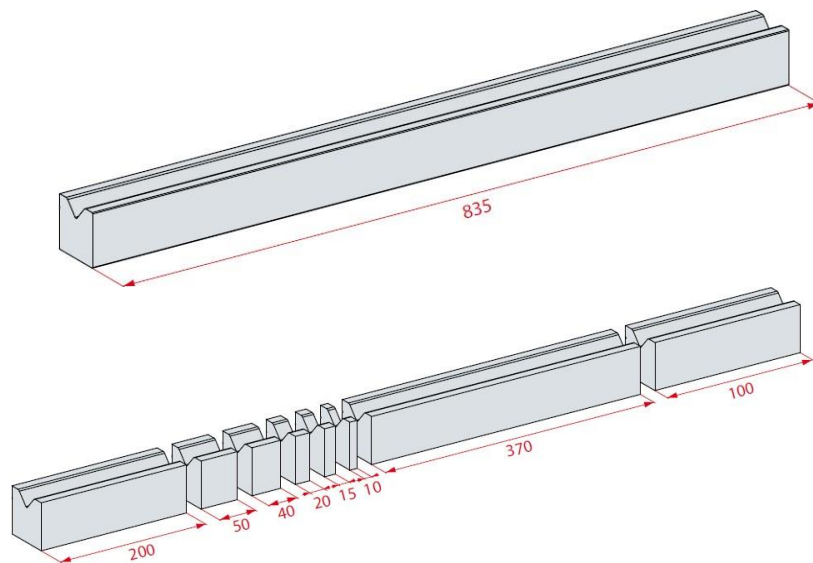
TOP TOOLS



TOP TOOL SEGMENTS



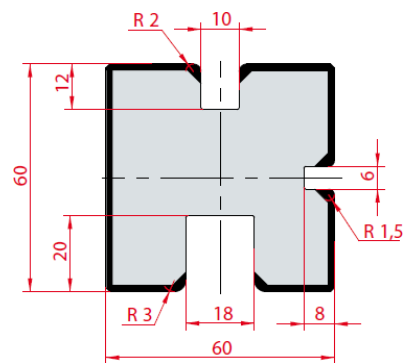
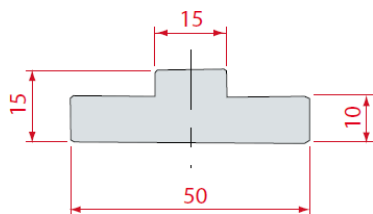
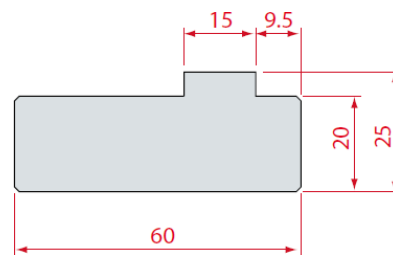
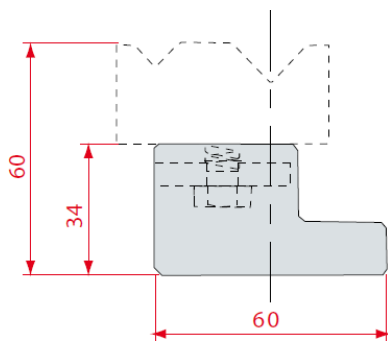
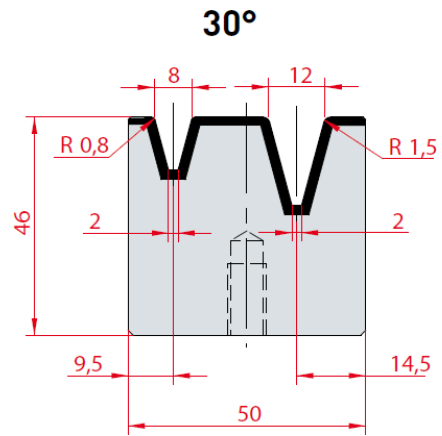
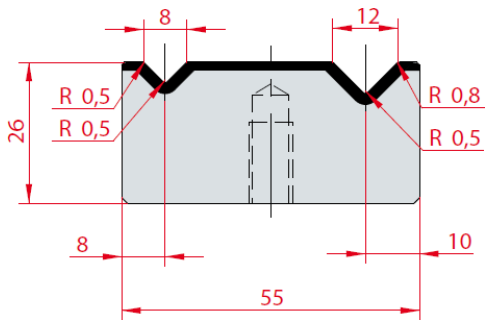
BOTTOM TOOL SEGMENTS



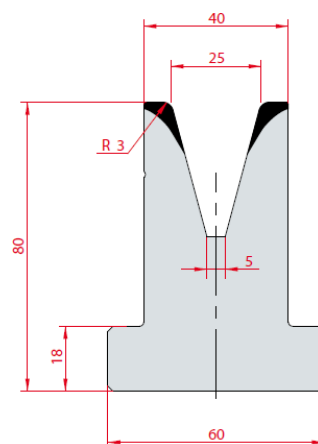
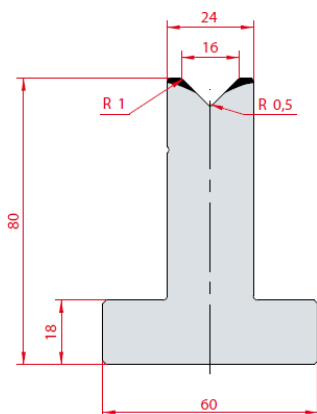
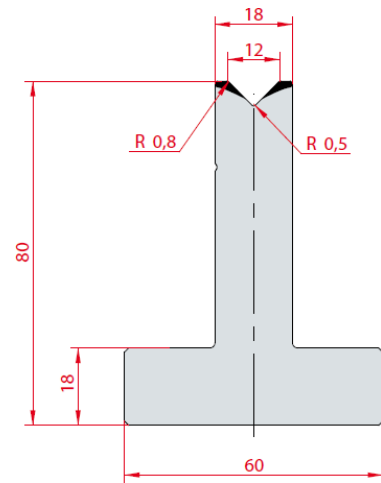
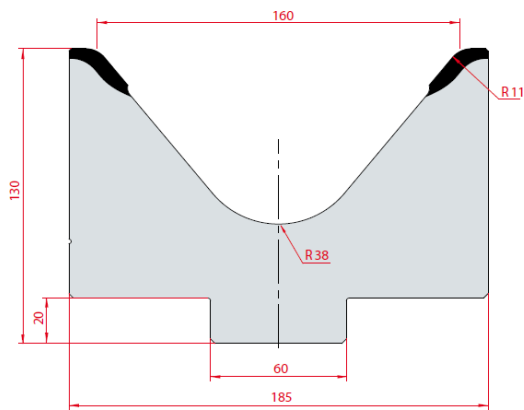
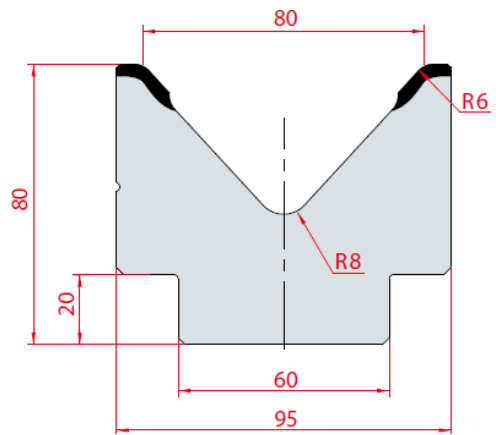
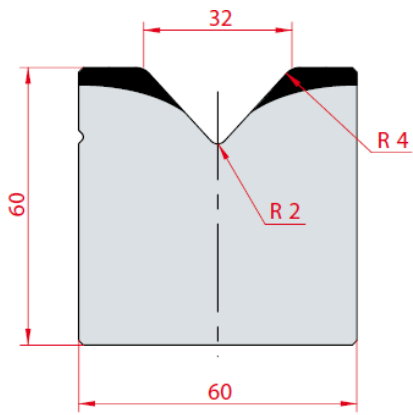
RAJ GROUP OF COMPANIES



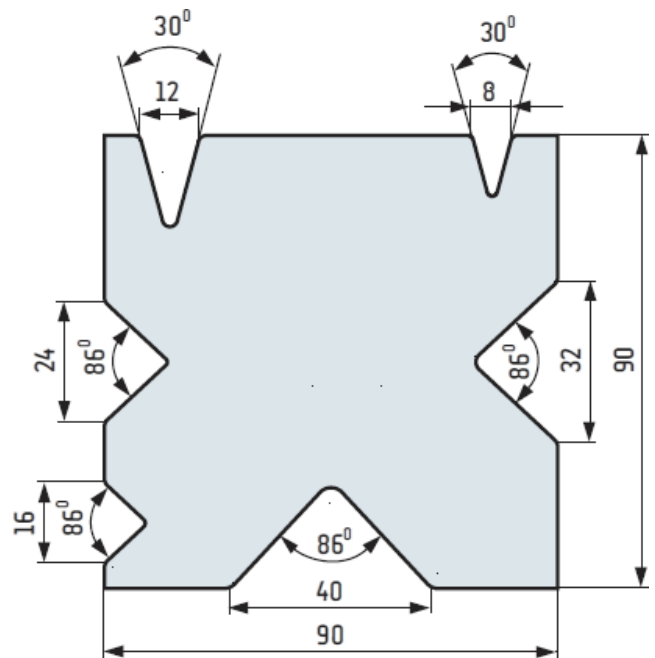
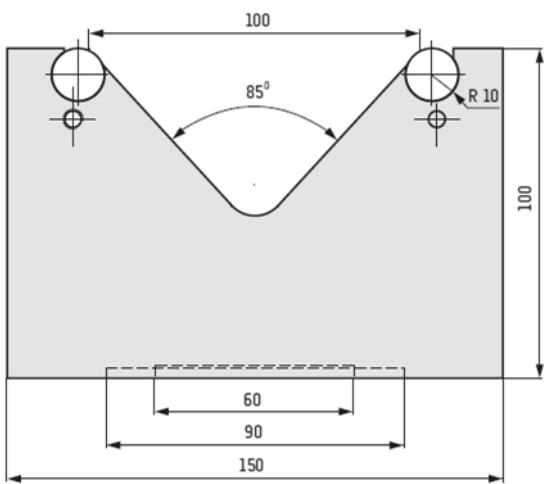
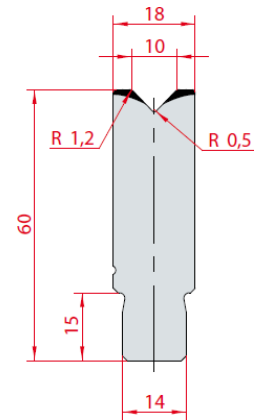
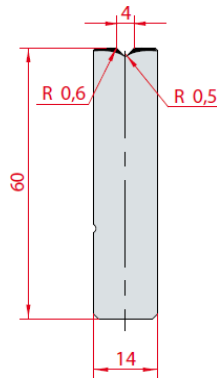
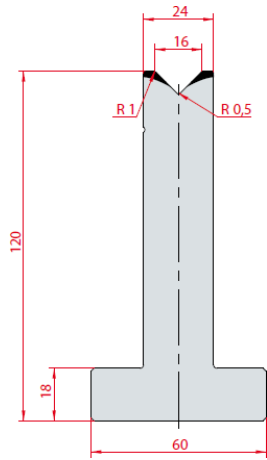
BOTTOM TOOLS



BOTTOM TOOLS



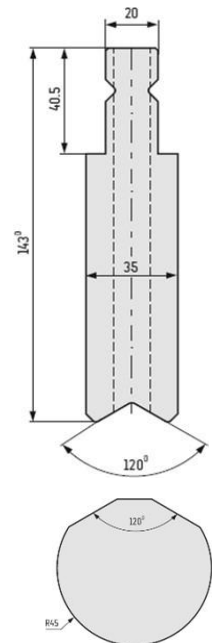
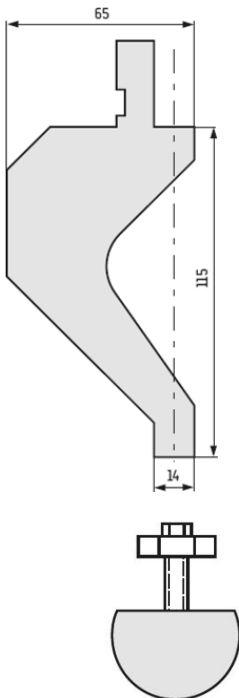
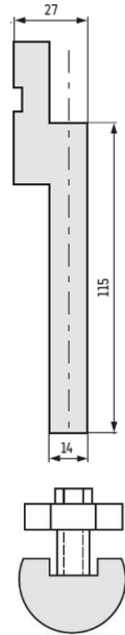
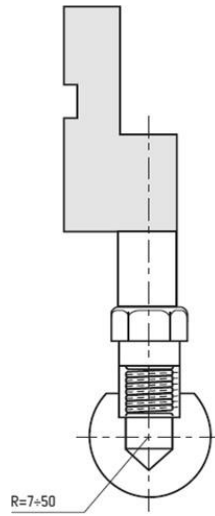
BOTTOM TOOLS



RAJ GROUP OF COMPANIES



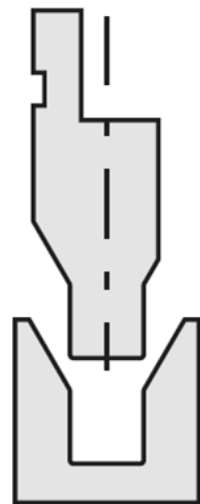
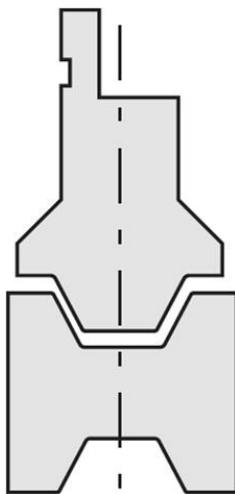
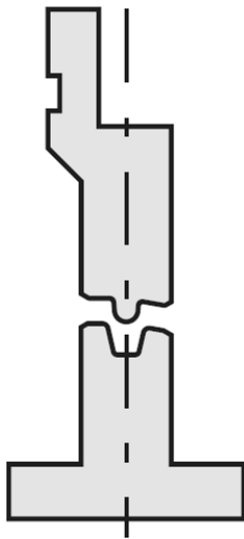
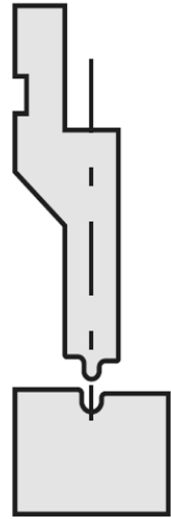
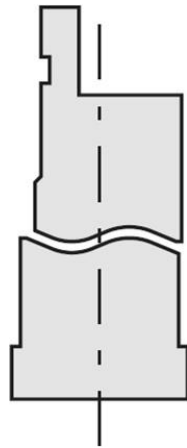
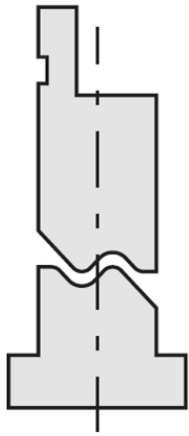
RADIUS TOOLS



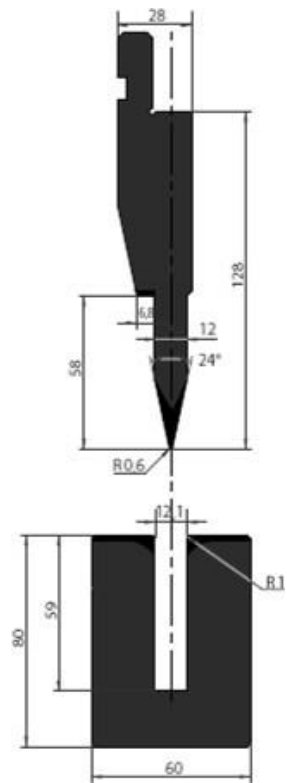
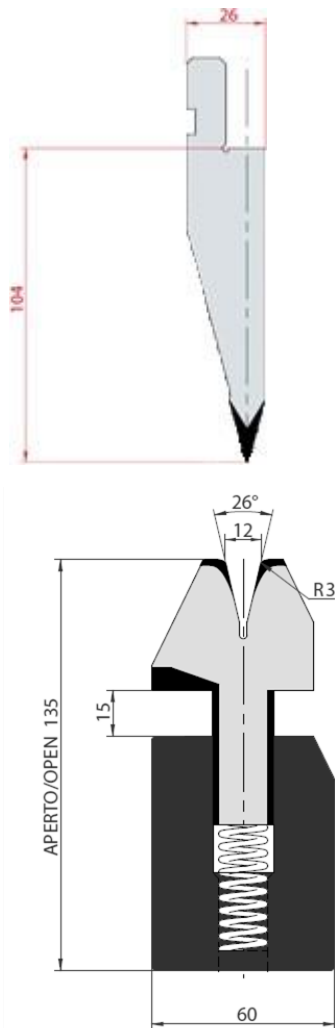
RAJ GROUP OF COMPANIES



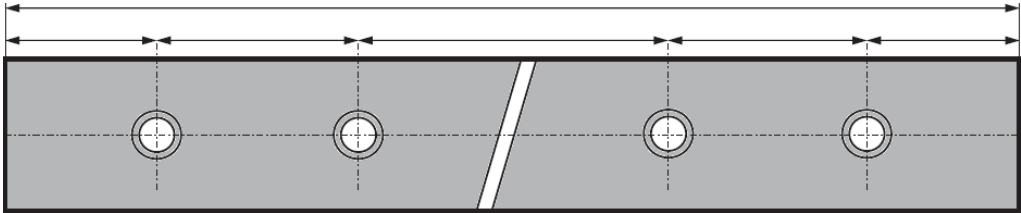
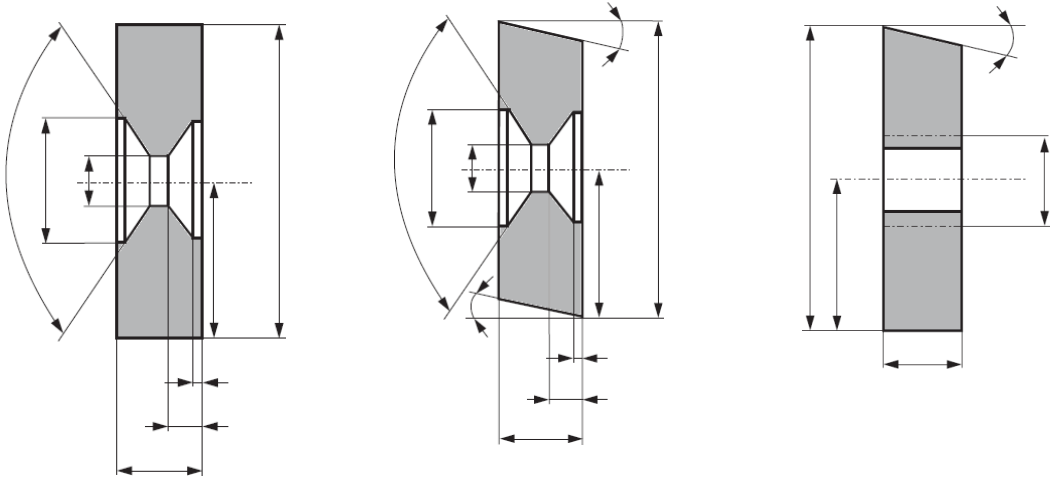
SPECIAL TOOLS SET



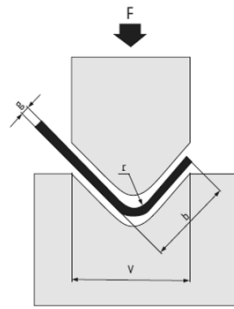
HEMMING TOOLS



SHEARING BLADES / INDUSTRIAL KNIVES



PRESSURE TABLE



*F [t] - pressure on 1m
r - inner radius on steel
b - minimum length of bending arm
V - vee size*

RM = 45 kg/mm²

g	V	4	6	7	8	10	12	14	16	18	20	25	32	40	50	63	80	100	125	140	160	200	250
	b	2.8	4	5	5.5	7	8.5	10	11	13.5	14	17.5	22	28	35	45	55	71	89	100	113	140	180
	r	0.7	1	1.1	1.3	1.6	2	2.3	2.6	3	3.3	4	5	6.5	8	10	13	16	20	23	26	33	40
0.5		4	3																				
0.6		6	4	3	3																		
0.8			7	6	5	4																	
1.0			13	10	8	6	5																
1.2					13	10	8	6	5														
1.5							13	10	9	8	7												
2.0							25	20	17	14	13	10											
2.5									29	24	21	16	12										
3.0										38	32	24	17	13									
4.0											47	34	25	19	14								
5.0												57	42	32	24	18							
6.0													65	48	36	26	20						
8.0														94	69	50	38	29	25				
10.0																84	63	48	41	35			
12.0																	130	96	72	62	53	40	31
16.0																		139	120	101	76	58	
20.0																						126	95

RM = 70 kg/mm²

g	V	4	6	7	8	10	12	14	16	18	20	25	32	40	50	63	80	100	125	140	160	200	250
	b	2.8	4	5	5.5	7	8.5	10	11	13.5	14	17.5	22	28	35	45	55	71	89	100	113	140	180
	r	0.7	1	1.1	1.3	1.6	2	2.3	2.6	3	3.3	4	5	6.5	8	10	13	16	20	23	26	33	40
0.5		7	4																				
0.6		10	6	5	4																		
0.8			11	9	8	6																	
1.0			19	16	13	10	8																
1.2					20	15	12	10	8														
1.5							20	16	14	12	10												
2.0							39	31	26	22	20	15											
2.5									44	38	33	25	18										
3.0										58	50	37	27	20									
4.0											73	53	39	30	22								
5.0												89	66	49	37	27							
6.0													101	75	55	41	31						
8.0														147	107	78	59	45	39				
10.0																131	98	74	64	55			
12.0																	202	149	112	97	82	62	48
16.0																		217	187	157	118	90	
20.0																						196	148

RAJ GROUP OF COMPANIES



OUR CUSTOMERS

M/S. Godrej & Boyce, Mumbai
M/S Bhel ,Bengalore
M/S Laxmi Machine Works ,Coimbaitur
M/S.Hmt Limited, Hyderabad.
M./S Sulzar India Pvt Ltd, Pune
M/S Mahindra Conveyor Ltd
M/S Taikisha Ltd, Pune
M/S L & T Komatsu, Bengalore
M/S L & T Case Equipment, Indore
M/S Telco Construction (Telcon),Jamshedpur.
M/S Mestro Minerals Ltd, Ghaziabad
M/S Cropmton Greares Ltd
M/S Videocon Ltd, Aurangabad
M/S Transrail Lighting Ltd, (Gammon Group)
M/S Rsb Transmission Ltd, Jamshedpur
M./S Thermax Ltd, Pune
M/S Dlaval Agri Ltd, Karad
M/S.Jbm Auto Ltd.
M/S B.P Ergo
M/S Vip Industries Ltd
M/S Hyderabad Industries Ltd.
M/S International Auto ,Jamshedpur
M/S. Blue Star, Mumbai
M/S . Case New Holland Industrial, Pune

M/S Hulassi Metal Ltd
M./S Stovek Industries Ltd
M/S Signum Fire Nagpur
M/S Veena Industries, Pune
M/S Sharp Industries, Pune
M/S Bartakke Electrical
M/S Bajaj Electricals Ltd
M/S B.G.Shirke Construction Ltd
M/S Eel Limited, Gurgaon.
M/S Rishi Laser, Bengalore
M/S Nugon Machinery, Ahemadabad.
M/S Apw Presidence System, Bengalore
M/S Hydropack (I) Pvt.Ltd, Belgaon.
M/S Lohia Machinery Limited, Kanpur.
M/S. Model Bucket, Goa
M/S Powerica Ltd
M/S Power Engineering, Goa
M/S Maharashtra State Road Transport
Corporation Workshop, Pune
M/S. Mrf Limited, Chennai.
M/S. Inspiron Engineering Pvt.
Ltd,Ahemadabad
M/S Mungi Brothers, Nasik
M/S.Hindustan Hydraulics, Jalander

CONTACT US :

RAJ HIGH TECH VENTURES PVT. LTD.

HEAD OFFICE:

Survey No. 22, Lalwani Heights, Above Bank of
Maharashtra, Sainikwadi, Wadgaon Sheri,
Pune – 411014

SANASWADI PLANT:

81-A, B.U. Bhandari Industrial Estate ,Sanaswadi,
Tal. Shirur Dist: Pune-412208.
Email : vkapse@rajgroupindia.com
Website : www.rajgroupindia.com
Website : www.rajgroupindia.com



RAJ GROUP OF COMPANIES